

● Standard — N/A

Li L8 Pro

Li L8 Max

Li L9 Max

## Overview

**1315** km

CLTC Combined Range

**1315** km

CLTC Combined Range

**1315** km

CLTC Combined Range

**210** km

CLTC Pure Electric Range

**210** km

CLTC Pure Electric Range

**215** km

CLTC Pure Electric Range

**5.5** s

0-100 km/h Acceleration Time

**5.5** s

0-100 km/h Acceleration Time

**5.3** s

0-100 km/h Acceleration Time

**4WD REEV Platform**

**4WD REEV Platform**

**4WD REEV Platform**

**Li Magic Carpet Air Suspension**

**Li Magic Carpet Air Suspension**

**Li Magic Carpet Air Suspension**

**Li SS Pro Smart Space**

7.3.4 Panoramic Audio System

Front-Row 4-Screen Interaction System

Qualcomm Snapdragon 8155 Chips

**Li SS Max Smart Space**

7.3.4 Panoramic Audio System

3D Spatial Interaction from 5 Screens

Dual Qualcomm Snapdragon 8155 Chips

**Li SS Max+ Smart Space**

7.3.4 Panoramic Audio System

5-Screen 3D Interaction System (OLED)

Dual Qualcomm Snapdragon 8155 Chips  
4D Immersive Audio and Video System

**Li AD Pro Smart Driving**

Navigation on ADAS (NOA) for Highways

Horizon Robotics Journey™ 5 Chip

**Li AD Max Smart Driving**

LiDAR

Full AD Safety Redundancy System

Dual NVIDIA Orin-X Chips

**Li AD Max Smart Driving**

LiDAR

Full AD Safety Redundancy System

Dual NVIDIA Orin-X Chips

● Standard — N/A

Li L8 Pro

Li L8 Max

Li L9 Max

## Exterior Color

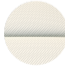


### Paint color

 Golden Metallic	●	●	●
 Silver Metallic	●	●	●
 Gray Metallic	●	●	●
 Black Metallic	●	●	●
 Deep Green - Special Edition Pearl	+RMB 10,000	+RMB 10,000	+RMB 10,000
 Tech Blue - Special Edition Gloss	+RMB 10,000	+RMB 10,000	+RMB 10,000
 Purple Light - Special Edition Pearl	+RMB 10,000	+RMB 10,000	+RMB 10,000

### Wheels

20" Silver Wheels (With 255/50 R20 Silent Tires)	●	●	—
20" Black Wheels (With 255/50 R20 Silent Tires)	●	●	—
21" Silver-Grey Wheels (With 265/45 R21 Silent Tires)	+RMB 10,000	+RMB 10,000	●
21" Black-Grey Wheels (With 265/45 R21 Silent Tires)	+RMB 10,000	+RMB 10,000	●

### Interior Upholstery

 Black & White	●	●	●
 Black & Brown	●	●	●
 Black & Orange	●	●	●

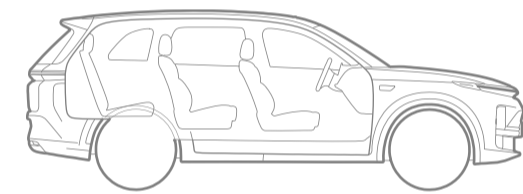
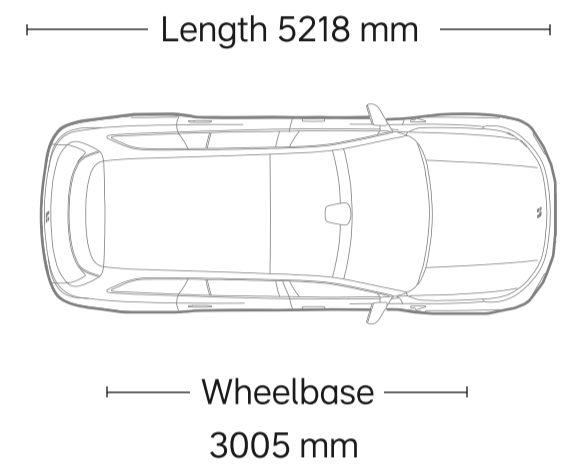
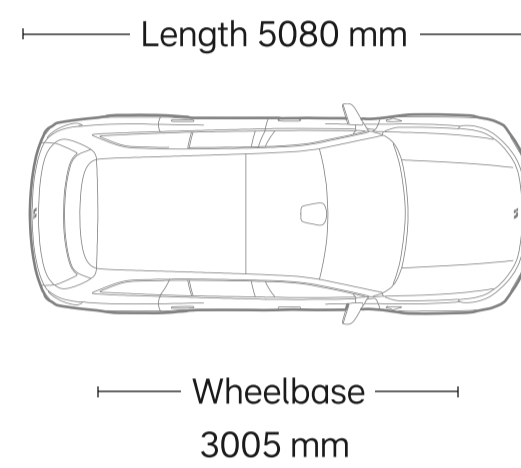
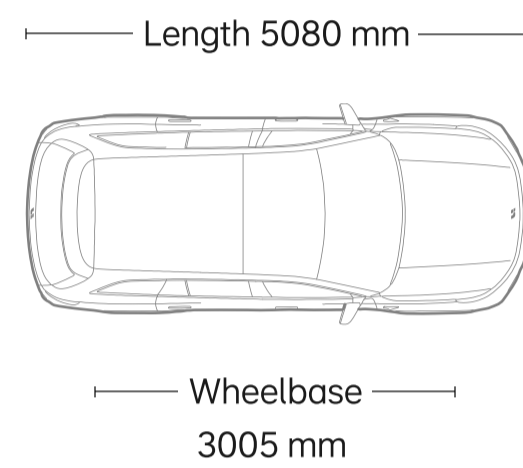
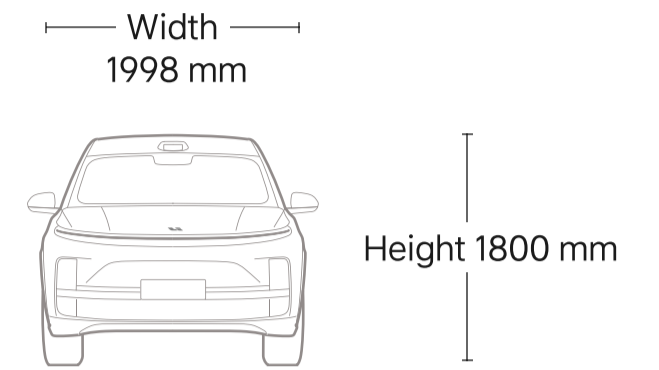
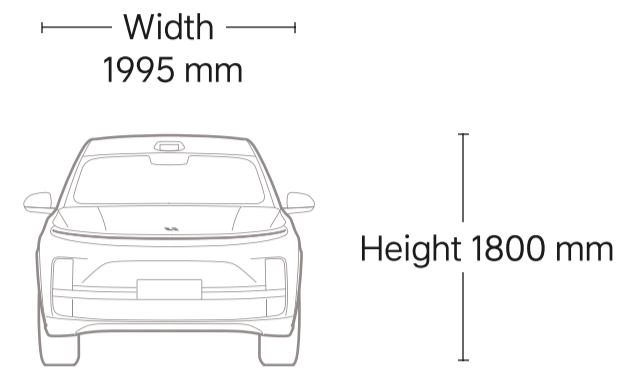
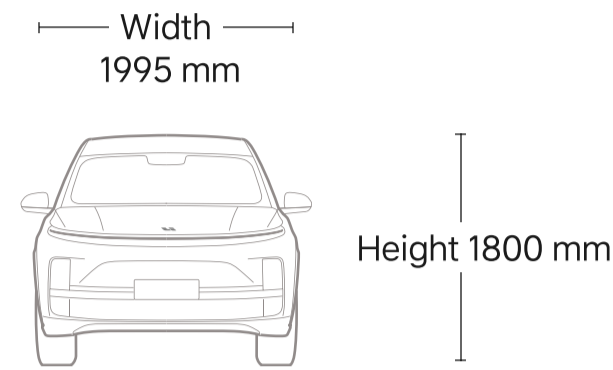
● Standard — N/A

## Li L8 Pro

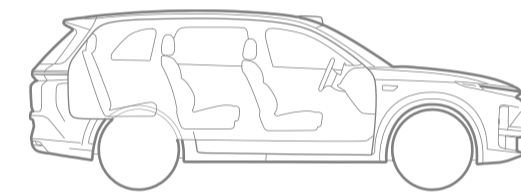
## Li L8 Max

## Li L9 Max

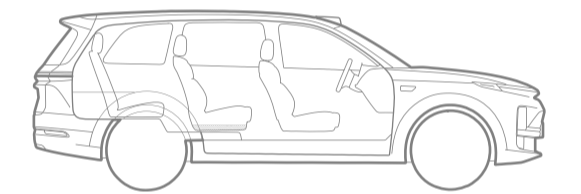
### Technical Specification



Second Row:  
Headroom 1034 mm, Maximum Legroom 1021 mm.  
Third Row:  
Headroom 911 mm, Maximum Legroom 772 mm.



Second Row:  
Headroom 1034 mm, Maximum Legroom 1021 mm.  
Third Row:  
Headroom 911 mm, Maximum Legroom 772 mm.



Second Row:  
Headroom 1034 mm, Maximum Legroom 1071 mm.  
Third Row:  
Headroom 925mm, Maximum Legroom 799mm.

Length	5080mm	5080mm	5218mm
Width	1995mm	1995mm	1998mm
Height	1800mm	1800mm	1800mm
Wheelbase	3005mm	3005mm	3105mm

# Li L8 | Configuration

● Standard — N/A

Li L8 Pro

Li L8 Max

Li L9 Max

## Power and Chassis

### Range Extended EV

Solely developed range extender & high efficiency generator	●	●	●
4WD with front and rear motor	●	●	●
CLTC range under comprehensive working conditions	1315km	1315km	1315km
WLTC range under comprehensive working conditions	1100km	1100km	1100km
CLTC battery life under comprehensive working conditions	210km	210km	215km
WLTC battery life under comprehensive working conditions	175km	175km	180km
Total power of power system	330kW	330kW	330kW
Total torque of power system	620N·m	620N·m	620N·m
0-100km/h acceleration time	5.5s	5.5s	5.3s
Maximum speed	180km/h (electronic speed control)	180km/h (electronic speed control)	180km/h (electronic speed control)
5-in-1 front drive system	Power: 130 kW Torque: 220 N·m	Power: 130 kW Torque: 220 N·m	Power: 130 kW Torque: 220 N·m
3-in-1 rear drive system	Power: 200 kW Torque: 400 N·m	Power: 200 kW Torque: 400 N·m	Power: 200 kW Torque: 400 N·m
Energy Modes	Electric / Fuel / Hybrid	Electric / Fuel / Hybrid	Electric / Fuel / Hybrid
Power battery capacity	42.8kWh (available power 37.7kWh)	42.8kWh (available power 37.7kWh)	44.5kWh (available power 39.2kWh)
Traction battery type	Ternary lithium battery, with flame retardant material and thermal runaway protection	Ternary lithium battery, with flame retardant material and thermal runaway protection	Ternary lithium battery, with flame retardant material and thermal runaway protection
Cooling method of power battery	Liquid cooling	Liquid cooling	Liquid cooling

# Li L8 | Configuration

● Standard — N/A

## Li L8 Pro

## Li L8 Max

## Li L9 Max

DC charging time (M.PWR 75 kW)	30 minutes (20%–80%)	30 minutes (20%–80%)	30 minutes (20%–80%)
AC slow-charging time (7kW)	6.5 hours (0-100%)	6.5 hours (0-100%)	6.5 hours (0-100%)
Fuel tank capacity	65L	65L	65L
Fuel type	95	95	95
Environmental standard	China VIB	China VIB	China VIB

## Chassis

Double wishbone front suspension	●	●	●
Five-link rear suspension	●	●	●
Smart air suspension	Up to 80 mm adjustable height	Up to 80 mm adjustable height	Up to 80 mm adjustable height
Continuous damping control	●	●	●
Variable speed EPS	●	●	●
Regenerative braking system	●	●	●
Adjustable accelerator pedal	●	●	●
Tough road modes	off-road self-recovery, slippery road mode, and hill descent control	off-road self-recovery, slippery road mode, and hill descent control	off-road self-recovery, slippery road mode, and hill descent control
Ventilated front & rear disc brakes	●	●	●
Electronic braking assistance	●	●	●

## Comfort and Luxury Features

### Seats

Heated seats	The first, second, and third rows	The first, second, and third rows	The first, second, and third rows
Electric seats	The first, second, and third rows	The first, second, and third rows	The first, second, and third rows
Comfortable sponge	The first, second, and third rows	The first, second, and third rows	The first, second, and third rows

# Li L8 | Configuration

● Standard — N/A

## Li L8 Pro

## Li L8 Max

## Li L9 Max

	Li L8 Pro	Li L8 Max	Li L9 Max
Lumbar massage	The first and second rows	The first and second rows	—
Spa-grade 10-point massage	—	—	The first and second rows
Ventilated seats	The first and second rows	The first and second rows	The first and second rows
4-way lumbar support	The first and second rows	The first and second rows	The first and second rows
Nappa leather seats	The first and second rows	The first and second rows	The first and second rows
luxury soft headrest	x4	x4	x4
First-class right seat with 4-way electric leg rest for the second row	—	—	●
Inside armrest with stepless adjustment for the second row	●	●	●
Fold-out table on the right for the second row	—	—	●
One-button electric folding and unfolding for the third row	●	●	●
One-tap reset for the second row seats	●	●	●
Boss button for the front passenger seat	●	●	●
Driver seat memory	●	●	●
Nap Mode	The first and second rows	The first and second rows	The first and second rows
Bed Mode	●	●	●
<b>Comfort Cockpit Features</b>			
Nappa leather multi-function steering wheel	●	●	●
Steering wheel heating	●	●	●
Dual-purpose refrigerator with electric control	—	—	●

# Li L8 | Configuration

● Standard — N/A

Li L8 Pro

Li L8 Max

Li L9 Max

LED interior ambient lights (256 colors)



Tri-zone auto climate control with air purification



Fragrance (three options)



PM2.5 monitoring



Air quality system (AQS)



Rear independent air vents

Second and third rows

Second and third rows

Second and third rows

Double-layer, silver-plated heat insulating windshield



Double-layer, sound insulating glass in the first row



Double-layer, sound insulating and tinted glass in the second row



Tinted glass in the third row



Two-pane panoramic sunroof (Double-layered noise and heat insulating glass)



Two-pane panoramic sunroof electric sunshade



Anti-pinch for all windows



Anti-UV glass for the whole vehicle



Negative ion fabric roof lining



One-touch button to lift and lower all windows



Dashboard and interior door panel with leather cover



LED touch reading lights for the first, second, and third rows



# Li L8 | Configuration

● Standard — N/A

## Li L8 Pro

## Li L8 Max

## Li L9 Max

	Li L8 Pro	Li L8 Max	Li L9 Max
LED floor lights	The first and second rows	The first and second rows	The first and second rows
Sun visor vanity mirror	With LED lighting	With LED lighting	With LED lighting
Tufted mats for the whole vehicle	●	●	●
<b>Convenient Driving and Riding</b>			
Steering wheel 4-way manual control	●	●	●
Power column shift	●	●	●
Flush door handles	●	●	●
Electric suction doors for the whole vehicle	●	●	●
Electric heating for side mirrors	●	●	●
Integrated side mirror blind spot detection	●	●	●
Electric adjustment of side mirrors	●	●	●
Side mirror memory	●	●	●
Automatic side mirror adjustment for reversing	●	●	●
Automatic anti-glare rearview mirror	●	●	●
Automatic anti-glare driver side mirror	●	●	●
Electric tailgate sensor	●	●	●
Electric tailgate position memory	Steplessly adjustable	Steplessly adjustable	Steplessly adjustable
Keyless entry	Four doors	Four doors	Four doors
Keyless start	●	●	●

# Li L8 | Configuration

● Standard — N/A

## Li L8 Pro

## Li L8 Max

## Li L9 Max

Mobile phone Bluetooth key	●	●	●
Remote vehicle control with App	●	●	●
Smart vehicle finder	With automatic parking lot photographing	With automatic parking lot photographing	With automatic parking lot photographing
Smart key	x2	x2	x2
Mechanical key	x1	x1	x1
On-board electric pump	●	●	●
On-board tool kit	●	●	●
Interactive user manual	●	●	●

## Interior Charging and Storage Space

Front-row wireless mobile phone charging (15W)	x2	x2	x2
Front-row USB Type-C	x2	x2	x2
Second-row USB Type-C (60W)	x2	x2	x2
Third-row USB Type-C	x2	x2	x2
Interior 220V socket	1.1kW	1.1kW	1.1kW
Interior 12V Socket	Front row x1, Trunk x1	Front row x1, Trunk x1	Front row x1, Trunk x1
Front-row independent cup holder	x2	x2	x2
Second-row independent cup holder	x2	x2	x2
Third-row independent cup holder	x2	x2	x2
Second-row mobile phone slot	x2	x2	x2
Third-row mobile phone slot	x2	x2	x2
Driver's storage box	●	●	●
Front-row lower storage space	●	●	●

# Li L8 | Configuration

● Standard — N/A

## Li L8 Pro

## Li L8 Max

## Li L9 Max

Split armrest box

●

●

●

Super-large door storage space

●

●

●

Hidden trunk storage space

●

●

●

## Smart Space

### SS Pro

### SS Max

### SS Max +

## Display System

Steering wheel safe driving touch-bar screen

●

●

●

13.35-inch HD projection heads up display (HUD)

●

●

●

15.7-inch center information display (CID)(3K resolution)

LCD

LCD

OLED

15.7-inch front-passenger entertainment screen (3K resolution)

LCD

LCD

OLED

15.7-inch rear cabin entertainment screen (3K resolution)

—

LCD

OLED

Rear cabin entertainment screen with electric opening, closing and angle adjustment

—

●

●

Integrated seamless glass over CID and front-passenger entertainment screen

●

●

●

Anti-fingerprint coating with fluorocarbon evaporation

●

●

●

Screen multi-touch technology

●

●

●

Automatic screen brightness adjustment

●

●

●

Anti-glare screen technology

●

●

●

# Li L8 | Configuration

● Standard — N/A

## Li L8 Pro

## Li L8 Max

## Li L9 Max

A-SPICE anti-shatter glass

●

●

●

Low blue light certificated

●

●

●

### Processors and Sensors

Qualcomm Snapdragon 8155 Chip

×1

×2

×2

RAM

12GB

24GB

24GB

High-Speed ROM

128GB

256GB

256GB

Digital MEMS Microphone

×6

×6

×6

Rear Sensor

IR

3D ToF

3D ToF

High-speed dual-SIM 5G module

●

●

●

### 3D Spatial Interaction

Gesture integrated interaction

●

●

●

Li Xiang Tong Xue multi screen response

●

●

●

Multiple-zone lock function

Six zones

Six zones

Six zones

Free conversation within the whole vehicle

●

●

●

Integrated voice and gesture control

●

●

●

### Immersive Audio and Video System

Speaker

19 Speakers

21 Speakers

21 Speakers

Audio system

7.3.4

7.3.4

7.3.4

Amplifier

1920W

1920W

2160W

Aluminum tweeters

●

●

●

Kevlar mid-range speakers

●

●

●

Carbon fiber subwoofers

●

●

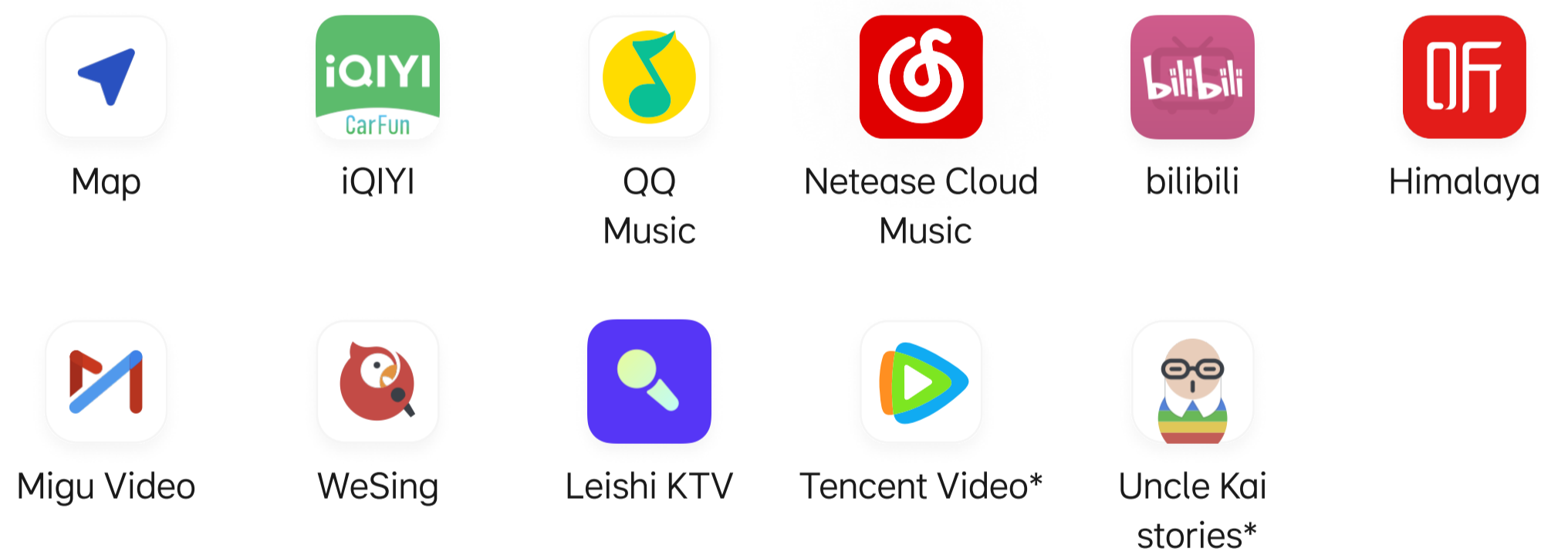
●

# Li L8 | Configuration

● Standard — N/A

	Li L8 Pro	Li L8 Max	Li L9 Max
Second-row 4D vibration units	—	—	●
Dolby Atmos	●	●	●
Sound effect management	●	●	●
Matrix layout of super bass	●	●	●
Independent rear cabin speaker	—	●	●
Independent Bluetooth audio source for front-passenger entertainment screen	●	●	●
Independent Bluetooth audio source for rear entertainment screen	—	●	●
Wired screen casting	Front	Front & rear	Front & rear

## App Store



\*These Apps will be available after delivery

● Standard — N/A

Li L8 Pro

Li L8 Max

Li L9 Max

## Exterior Configuration

### Exterior Lights and Gears

Run-through Halo LED headlights	●	●	●
3-dimensional Halo LED taillights	●	●	●
Adaptive LED headlights	●	●	●
LED low-speed steering assist lights	●	●	●
LED smart driving assist lights	—	●	●
LED side marker lights	●	●	●
LED greeting lights	●	●	●
LED courtesy lights	●	●	●
Adaptive headlight height adjustment	●	●	●
Automatic high beam	●	●	●
Rain-sensing front wipers	●	●	●
Concealed rear window wiper	●	●	●
Mounting holes for roof rack	●	●	●
Active air-intake grille	●	●	●
Power Footboards	+RMB 10,000	+RMB 10,000	+RMB 10,000

### Charging and Power Supply

Electric charging port flap	Electric induction	Electric induction	Electric induction
Home charging station	7kW	7kW	7kW
Scheduled charging	●	●	●
Fault self-check	●	●	●

# Li L8 | Configuration

● Standard — N/A

## Li L8 Pro

## Li L8 Max

## Li L9 Max

Non-inductive charging

●

●

●

Electrical protection

●

●

●

Charging record

●

●

●

External discharge

3.5kW

3.5kW

3.5kW

External discharge adapter

●

●

●

## Smart Driving and Safety Equipment

### Li AD Max Smart Driving Hardware Platform

Domain controller

Horizon Robotics  
Journey™ 5 ×1

NVIDIA Orin-X ×2

NVIDIA Orin-X ×2

128-line LiDAR

—

●

●

Front perception camera

8 MP ×1

8 MP ×2

8 MP ×2

Side front perception camera

2 MP ×2

8 MP ×2

8 MP ×2

Side rear perception camera

2 MP ×2

8 MP ×2

8 MP ×2

Rear perception camera

2 MP ×1

2 MP ×1

2 MP ×1

Surround view camera

2 MP ×4

2 MP ×4

2 MP ×4

Ultrasonic radar

×12

×12

×12

Forward millimeter wave radar

●

●

●

Capacitive hand detection  
steering wheel

●

●

●

Steering wheel with vibration alert

●

●

●

Attention warning system

●

●

●

### Li AD Max Smart Driving Features

Navigation on ADAS (NOA)

High-speed scenario

All scenarios

All scenarios

High-precision map

●

●

●

# Li L8 | Configuration

● Standard — N/A	Li L8 Pro	Li L8 Max	Li L9 Max
High-precision sub-meter positioning	●	●	●
Lane-level navigation	●	●	●
Environment perception display	●	●	●
Enhanced LiDAR perception system	—	●	●
Adaptive Cruise	●	●	●
Lane keeping assist	●	●	●
Adjacent car avoidance	●	●	●
Smart follow	●	●	●
Side assist	●	●	●
Speed alert	●	●	●
Lane departure warning	●	●	●
Forward collision warning	●	●	●
Automatic Emergency Braking (AEB)	●	●	●
Construction warning	●	●	●
Blind spot side assist	●	●	●
Door opening alert	●	●	●
Front vehicle start alert	●	●	●
Narrow road assistance (narrow road detection and automatic panoramic camera)	●	●	●
Intelligent parking	●	●	●
Straight line remote control	●	●	●
360° HD panoramic camera	●	●	●

# Li L8 | Configuration

● Standard — N/A

## Li L8 Pro

## Li L8 Max

## Li L9 Max

HD reversing camera

●

●

●

\*Navigation on ADAS (NOA) will be available through OTA update. Suitable for highways and city expressways, and other closed roads covered by high-resolution maps.

\*Thanks to the enhanced LiDAR perception system, Navigation on ADAS (NOA) for all scenarios will be available in more areas through OTA updates.

\*Thanks to the enhanced LiDAR perception system, Navigation on ADAS (NOA) for all scenarios will be available in more areas through OTA updates.

## Safety Protection

High-strength steel-aluminum body

●

●

●

Double-impact protected battery pack

●

●

●

Front-row front airbag

x2

x2

x2

Front-row side airbag

x2

x2

x2

Second-row side airbag

x2

x2

x2

Curtain airbags for all windows

x2

x2

x2

Seatbelt alert

The first, second, and third rows

The first, second, and third rows

The first, second, and third rows

Pretensioning seatbelt

●

●

●

ISOFIX interface for child safety seat at the second row

x2

x2

x2

ISOFIX interface for child safety seat at the third row

x2

x2

x2

Electronic child safety locks for rear doors

●

●

●

Driving recorder

●

●

●

Hill descent control (HDC)

●

●

●

Electronic stability program (ESP)

●

●

●

Anti-lock braking system (ABS)

●

●

●

# Li L8 | Configuration

● Standard — N/A

Li L8 Pro

Li L8 Max

Li L9 Max

Hill hold control (HHC)



Traction control system (TCS)



Electronic brakeforce distribution (EBD)



Automatic warning brake (AWB)



Hydraulic brake assist (HBA)



Emergency Braking Warning (HAZ)



Dynamic Steering Torque (DST)



Roll Movement Intervention (RMI)



Vehicle Dynamic Control (VDC)



Tire-pressure monitoring system (TPMS)



Dynamic torque distribution



Electronic parking brake (EPB)



Autohold parking control



Pedestrian warning noise



Electronic anti-theft function for power system



Trailer mode



Anti-theft alarm system (remote alert via App)



Sentry mode\*



\*Sentry mode is available via OTA upgrade

## Warranty and Services

Vehicle warranty

For 5 years or 100,000 km

For 5 years or 100,000 km

For 5 years or 100,000 km

# Li L8 | Configuration

● Standard — N/A

## Li L8 Pro

## Li L8 Max

## Li L9 Max

Limited warranty for battery, motor, and electric control system

For 8 years or 160,000 km

For 8 years or 160,000 km

For 8 years or 160,000 km

Air suspension warranty

For 8 years or 160,000 km

For 8 years or 160,000 km

For 8 years or 160,000 km

Mobile data

Three-year data worry-free solution

Three-year data worry-free solution

Three-year data worry-free solution

24/7 roadside assistance service

In-Warranty Period

In-Warranty Period

In-Warranty Period

Free home charging station and basic installation service

●

●

●

Smart maintenance reminder

●

●

●

Smart emergency call and rescue

●

●

●

24/7 online service agents

●

●

●

### Tips:

"The range and charging time are affected by driving habits, natural environment, battery life and other objective factors. The parameter configuration information is for reference only. For the purpose of design and use safety, Li Auto has the right to adjust the parameters and configuration within the scope of laws and regulations. The specific parameters and configuration are subject to the actual vehicle for sale.

The driving assistance system is an assisting function and cannot cope with all traffic, weather and road conditions. The driver should take active control of the vehicle at all times. Take caution when using this function in complex traffic conditions, on wet, slippery, water-logged or muddy roads, in poor visibility, on rugged mountain terrain or at highway entrances and exits.

The English version is for reference only. In case of any discrepancy, the Chinese version shall prevail."